

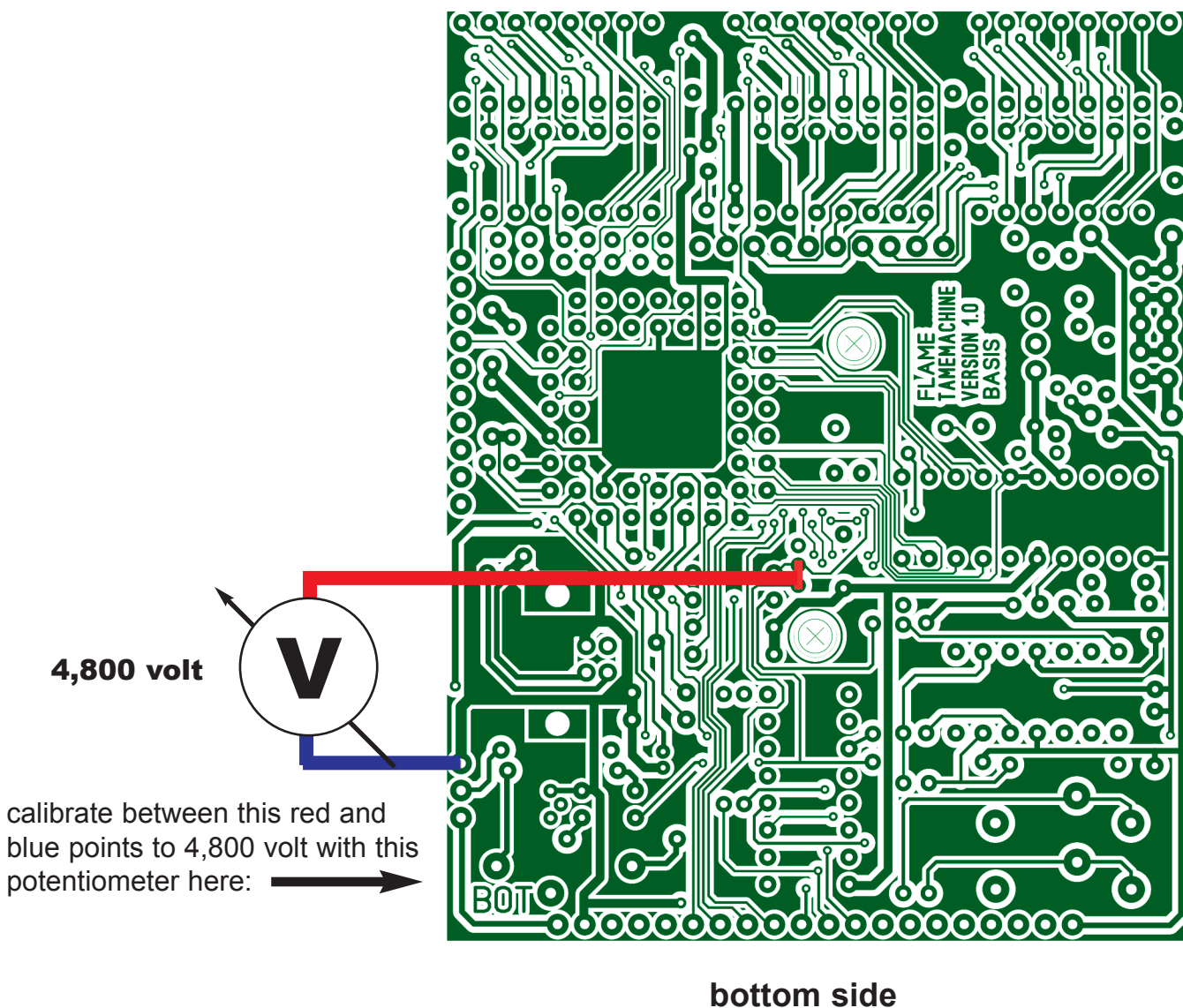
Flame “Tame machine” calibration instruction

Before:

You need a small screw driver for the potentiometer calibration and a volt-meter.

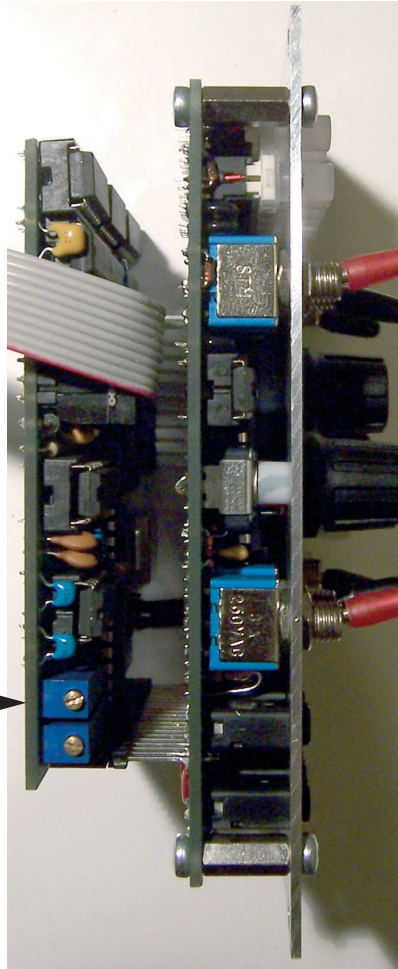
Please avoid doing electrostatic voltages (don't touch the pins of the chips) and avoid doing short-circuit faults!!

1. Calibration of the AD converter reference voltage to 4,800 volt



2. Calibration the CV-2 output to 5,00 volt

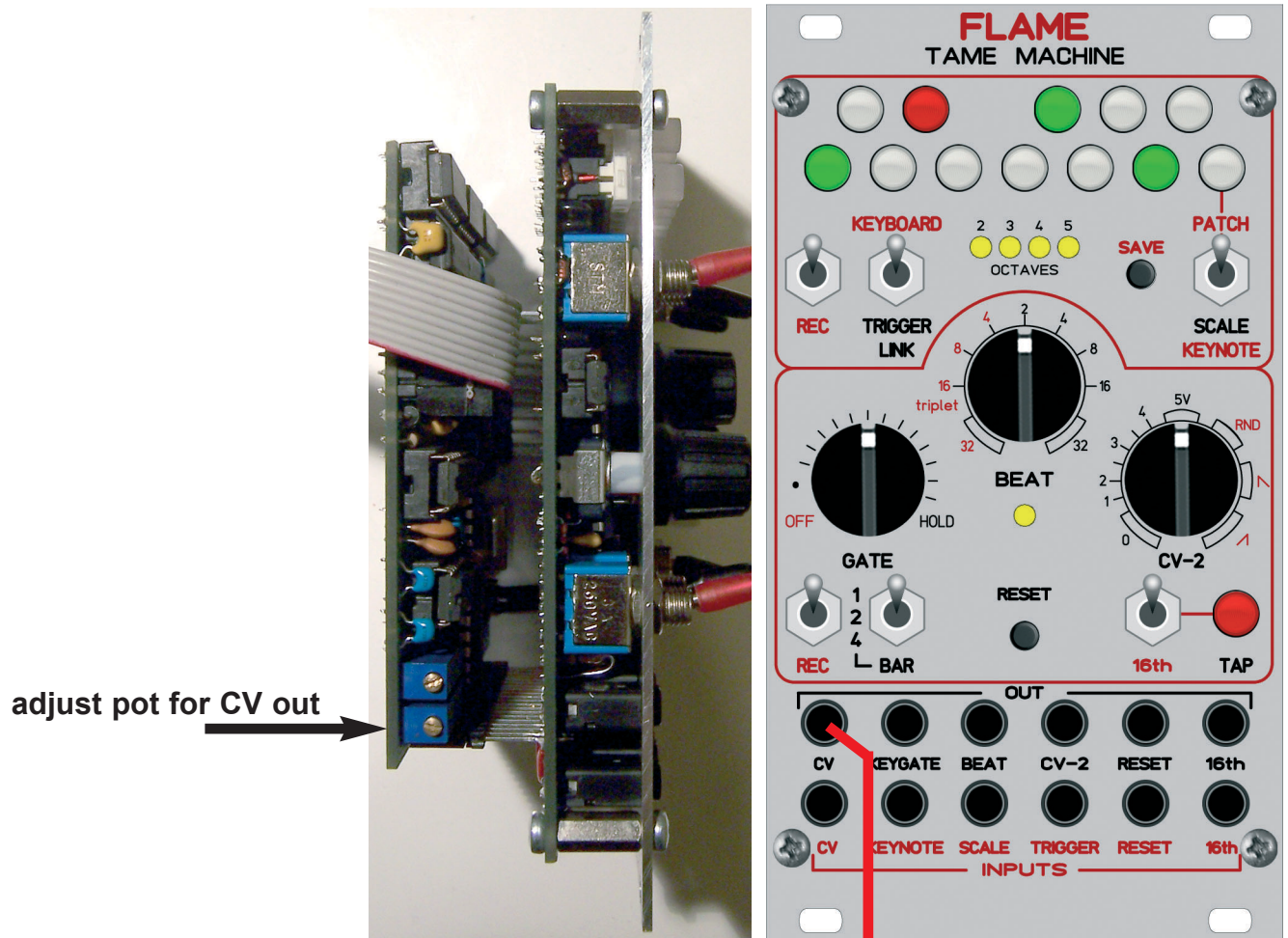
adjust pot for CV-2 out



- both REC knobs in top position
- switch keyboard in top position
- CV-2 knob in middle position (5V)
- adjust the CV-2 output voltage to 5,00 volt

max. 5 volt output

3. Calibration the CV output to 1 volt per octave



- both REC knobs in top position
- switch keyboard in top position

first:

- set keynote C of the mini keyboard
- set the octave 2 led on with the CV-2 knob
- adjust the CV output voltage to 1,00 volt

second:

- set keynote C of the mini keyboard
- set the octave 5 led on with the CV-2 knob
- adjust the CV output voltage to 4,00 volt

Now you have output voltages of keynote C as follows: 2=1volt, 3=2volt, 4=3volt, 5=4volt

Please note: you can have acceptable tolerances of 0,01..0,02 volt